

POWER CONTROLLERS

Type



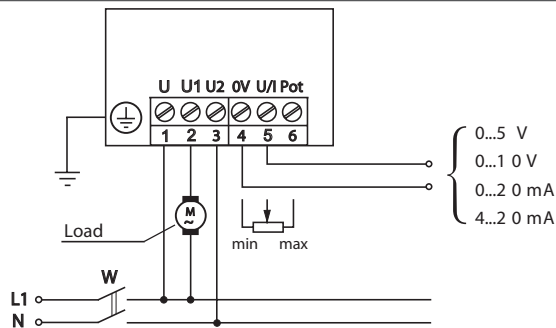
	RP7	RP1	RPL1	RP3
Version		1-phase		3-phase
Control	phase		phase, pulse, on/off	
Input signal		0..5/10V, 0/4..20mA potentiometer		
Output	-	voltage (1) – Master/Slave (for co-operation with second power controller) relays (2)		
Max. output current	15A	125A		3 x 450A
Load supply voltage	230 V	230 V, 400 V a.c.	230, 400, 500 V a.c.	400 V a.c.
Load configuration	2-wire	2 or 3-wire		3, 4 or 6-wire
External dimensions	50 x 105 x 105 mm	135 x 201 x 199 mm 135 x 231 x 199 mm	135 x 201 x 199 mm 135 x 231 x 199 mm - RPL1-x4xx (version with fan)	212 x 318 x 177 mm (40, 70, 125 A versions) 383 x 433 x 281 mm (200, 300, 450 A versions)

CONTROL

CONNECTION DIAGRAMS

RP7

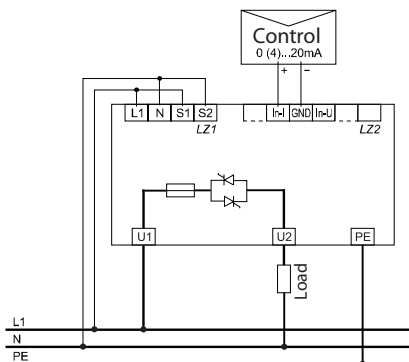
Fig.102 Electrical connections of RP7



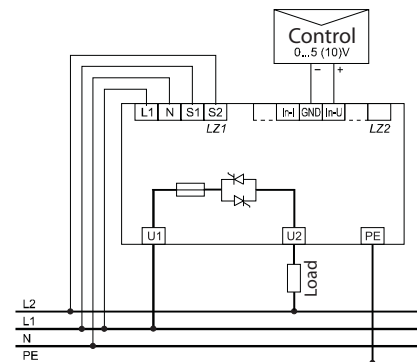
RP1

Fig.103 Connection of load in a single-phase system

a) load supply
 $U_{LOAD} = 230 V$,
supply $U_{GTS} = 230 V$



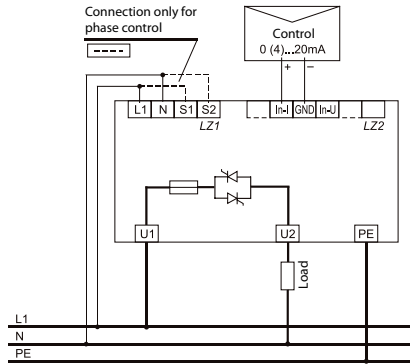
b) load supply
 $U_{LOAD} = 400 V$,
Supply $U_{GTS} = 230 V$



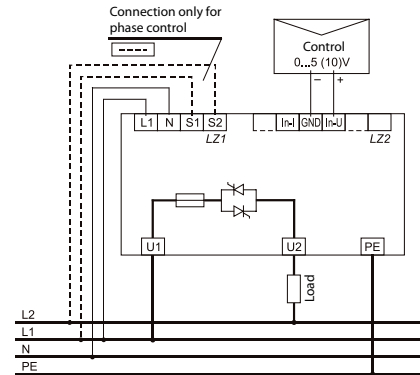
RPL1

Fig.104 Connection of load in a single-phase system

a) load supply
 $U_{LOAD} = 230\text{ V}$,
 supply $U_{GTS} = 230\text{ V}$



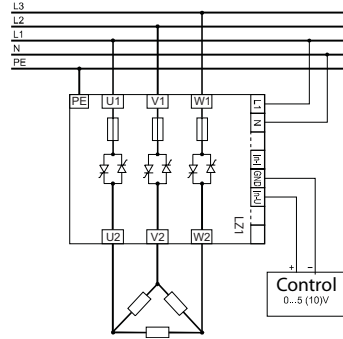
b) load supply
 $U_{LOAD} = 400\text{ V}$,
 supply $U_{GTS} = 230\text{ V}$



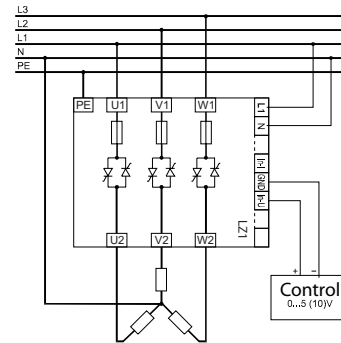
RP3

Fig. 105 Connection of load in a 3- and 4-wire system

a) three-wire load



b) four-wire load



ORDERING CODES

Power controllers

Table 57. RP7 ordering code:

RP7 -	X	X
Maximal current output:		
5 A	1	
10 A	2	
15 A	3	
Acceptance tests:		
without extra requirements	8	
with an extra quality inspection certificate	7	
acc. to customer's request*		X

Table 60. RP3 ordering code:

RP3 -	X	X
Maximal current output:		
40 A	1	
70 A	2	
125 A	3	
200 A	4	
300 A	5	
450 A	6	
Acceptance tests:		
without extra requirements	8	
with an extra quality inspection certificate	7	
acc. to customer's request*		X

Table 58. RP1 ordering code:

RP1 -	X	X	X
Maximal current output:			
25 A	1		
40 A	2		
70 A	3		
125 A	4		
Gate triggering system (GTS):			
supply voltage 85...115...135 V a.c.	1		
supply voltage 195...230...253 V a.c.	2		
Acceptance tests:			
without extra requirements	8		
with an extra quality inspection certificate	7		
acc. to customer's request			X

Table 59. RPL1 ordering code:

RPL1 -	X	X	X	XX	X	X
Control:						
phase	1					
pulse/ on/off	2					
Current range:						
maximal current output 25 A	1					
maximal current output 40 A	2					
maximal current output 70 A	3					
maximal current output 125 A*	4					
Load voltage:						
supply voltage - 195...230...253 V a.c.	1					
supply voltage - 340...400...440 V a.c.	2					
supply voltage - 425...500...550 V a.c.	3					
Version:						
standard						00
custom-made**						XX
Language:						
Polish						P
English						E
other**						X
Acceptance tests:						
without extra requirements						0
with an extra quality inspection certificate						1
acc. to customer's request*						X

* the version RPL1- x4xx has a fixed fan
 ** after agreeing with the manufacturer